

---

# HANNA

## COMMERCIAL DECORATIVE SOLAR LIGHT



---

**PHILIPS**  
**LUMILEDS**

**HANNA** effectively illuminates your outdoor living spaces with a 360-degree light beam. This decorative solar light adds a touch of lighting to your pedestrian and living spaces while maintaining an elegant style in an **IK10 vandal-proof enclosure**.

Regardless of its simplified aesthetic design, this decorative light has the latest **lithium battery** technology for cold weather operation (**down to -30C**), a smart controller and an impressive **42 watts solar module**. This luminaire also has a **motion sensor** to increase the light intensity upon approaching pedestrians.

**HANNA** is highly programmable by remote control; the level of lighting, operating times, as well as the light color temperature can be adjusted to suit the lighting requirements of a given site or the mood you want to create in your living environment.

### FEATURES & BENEFITS

- Weather adaptive technology;
- Fully self-contained light: **42W solar modules, low temperature lithium battery**, smart controller and lighting system;
- Automatic activation and dimming options;
- No power cables or wiring needed;
- **True 7 days autonomy** without sunlight;
- Flexible operating profiles according to your needs;
- 100 000 hours Philips maintenance free LED operation;
- Die-cast aluminum housing;
- Stainless steel hardware provided;
- Quick, easy and safe installation.



Solar Vision inc.  
www.solar-vision.ca  
info@solar-vision.ca  
T. : 819-729-0450



# HANNA

## COMMERCIAL DECORATIVE SOLAR LIGHT

LIGHTING SPECIFICATIONS	Model #HANNA-3040
Philips Lumileds lumen/Watt	160lm/W
Luminaire LED Power (Watt)	<b>18 W</b>
Lumens (lm)	<b>2800 lm</b>
Dimming options	Yes
Light Distribution Type	Type 5 (Symmetrical) full cut-off high efficiency optics
Color temperature (°K)	3000°K to 4000°K adjustable
CRI (Color Rendering Index)	80
LED Lifespan	> 100 000 hours
Recommended mounting height	12 ft (3.5 meters)
Recommended spacing factor	Between 7x to 9x Mounting Height
Available Operating modes	<b>Mode 1:</b> 4h at 100%, then OFF <b>Mode 2:</b> 6h at 100%, then OFF <b>Mode 3:</b> 12h at 100%, then OFF <b>Mode 4:</b> Dusk to Dawn at 100% <b>Optional:</b> When the motion sensor is selected = light intensity will be at 30% during the selected hours (Mode 1 to 4) and will increase to 100% upon detection.

SOLAR SYSTEM SPECIFICATIONS	
Solar Module (Watt)	<b>42 Watt</b> , High-efficiency mono-crystalline, High impact, UV resistant encapsulation
Battery Bank Capacity (Ah)	<b>12Ah (154Wh)</b>
Battery type	<b>Low Temperature Lithium Battery</b> (Designed for our canadian climate)
Battery Overcharge/Discharge protection	YES
Autonomy (number of days without sunlight)	<b>3 days</b> , with a fully charged battery, during canadian winters <b>7 days</b> , with a fully charged battery, during canadian summers
Operating temperature range	<b>-30°C +70°C</b> (Charging & Discharging) Designed for canadian climate

MECHANICAL SPECIFICATIONS	
Top of Pole requirement (TOP)	<b>3 inch (76mm)</b> Stainless steel hardware provided
Material / Coating and color	Die-cast corrosion resistant aluminum / Anthracite Grey Powder Coating
Unit Height, in (mm)	23.6po X 18po (600mm X 455mm)
Unit Weight - lb (Kg)	21.15lb (9.6Kg)

WARRANTY & CERTIFICATIONS	
Against defects in material and workmanship	<b>3 years</b>
Certifications	CB, CE, ROHS, IP65, LM79, LM80, MSDS, UN 38.3

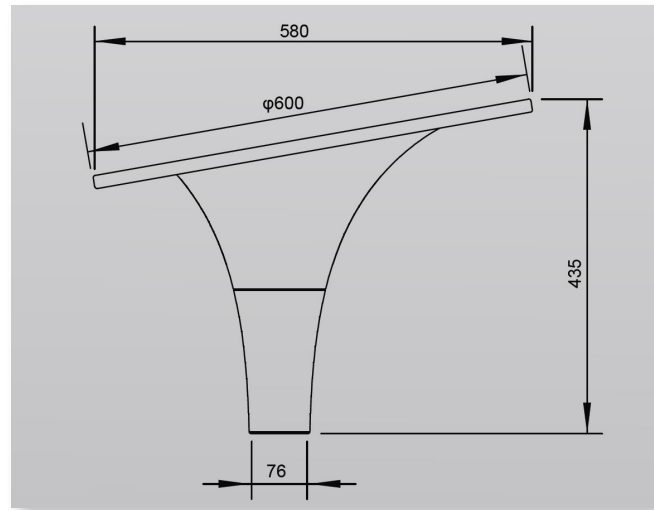
# HANNA

## COMMERCIAL DECORATIVE SOLAR LIGHT

### HANNA ORDERING CODE

Series	Color Temperature (°K)	Pole	Base cover	Anchor
<b>HANNA</b>	<b>3040</b> = 3 000°K et 4000°K, selectable	<b>12</b> = 12 feet	<b>Y</b> = yes	<b>Y</b> = yes (4x expansion anchor bolts)
		<b>N</b> = without pole	<b>N</b> = no base cover	<b>N</b> = no anchor

Exemple: **HANNA-3040-12-N-N** ( **HANNA** - \_\_\_\_\_ - \_\_\_\_\_ - \_\_\_\_\_ - \_\_\_\_\_ )



Solar Vision inc.  
[www.solar-vision.ca](http://www.solar-vision.ca)  
[info@solar-vision.ca](mailto:info@solar-vision.ca)  
 T. : 819-729-0450

