

INSTALLATION MANUAL

LX COMMERCIAL SOLAR LIGHTING FIXTURE



IMPORTANT NOTES:

- Always install the lighting fixture on the pole before installing the battery.
- The lighting fixture should never be handled with battery installed inside.
- The battery compartment contains a “quick connector” to connect the battery.

INSTALLATION

1. Using the supplied bolts and hardware, fasten the battery compartment to the solar module as indicated on the image #1. Orientation of the battery box is critical.
2. Install the lighting fixture on a pole with an outer diameter of:
 - 102mm (4in) LX25 & LX50 (square or round sleeve);
 - 127mm (5in) LX95 (square sleeve only on the LX95);
3. Use the proper drilling pattern (4in or 5in) at the end of this document.
4. Slide the lighting fixture on top of the pole;
5. Use the 1/4”-20 bolt to secure the luminaire to the pole, the drilling pattern is at the end of this document;
6. Once the light is in place, open the battery box door and insert the battery.
7. Make a quick connection with the quick connect cable;
8. A green indicator light indicates that the luminaire is functional.
9. Close the battery box door, the installation is now complete.

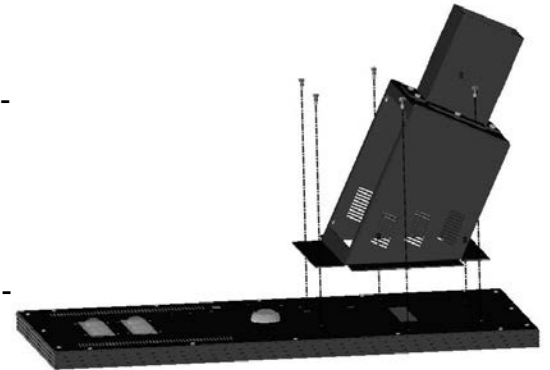


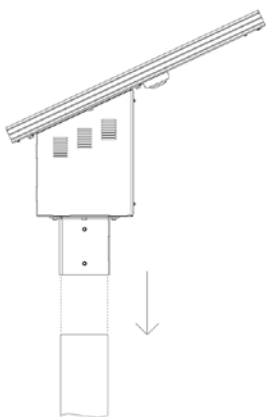
Image #1 (step #1)



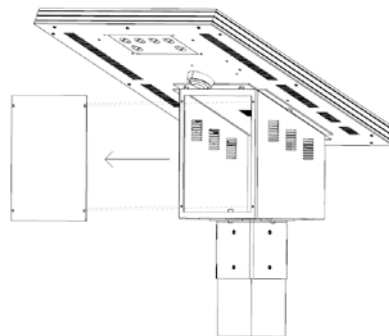
Indicator lights

LEARNING DELAY

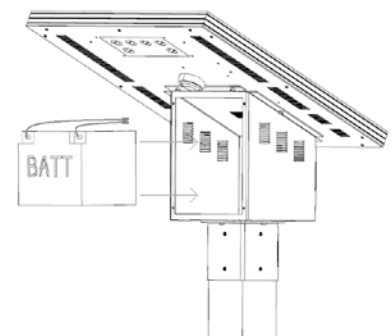
The light requires a 24-hour delay to operate properly according to it's program.



STEP 2, 3, 4, 5



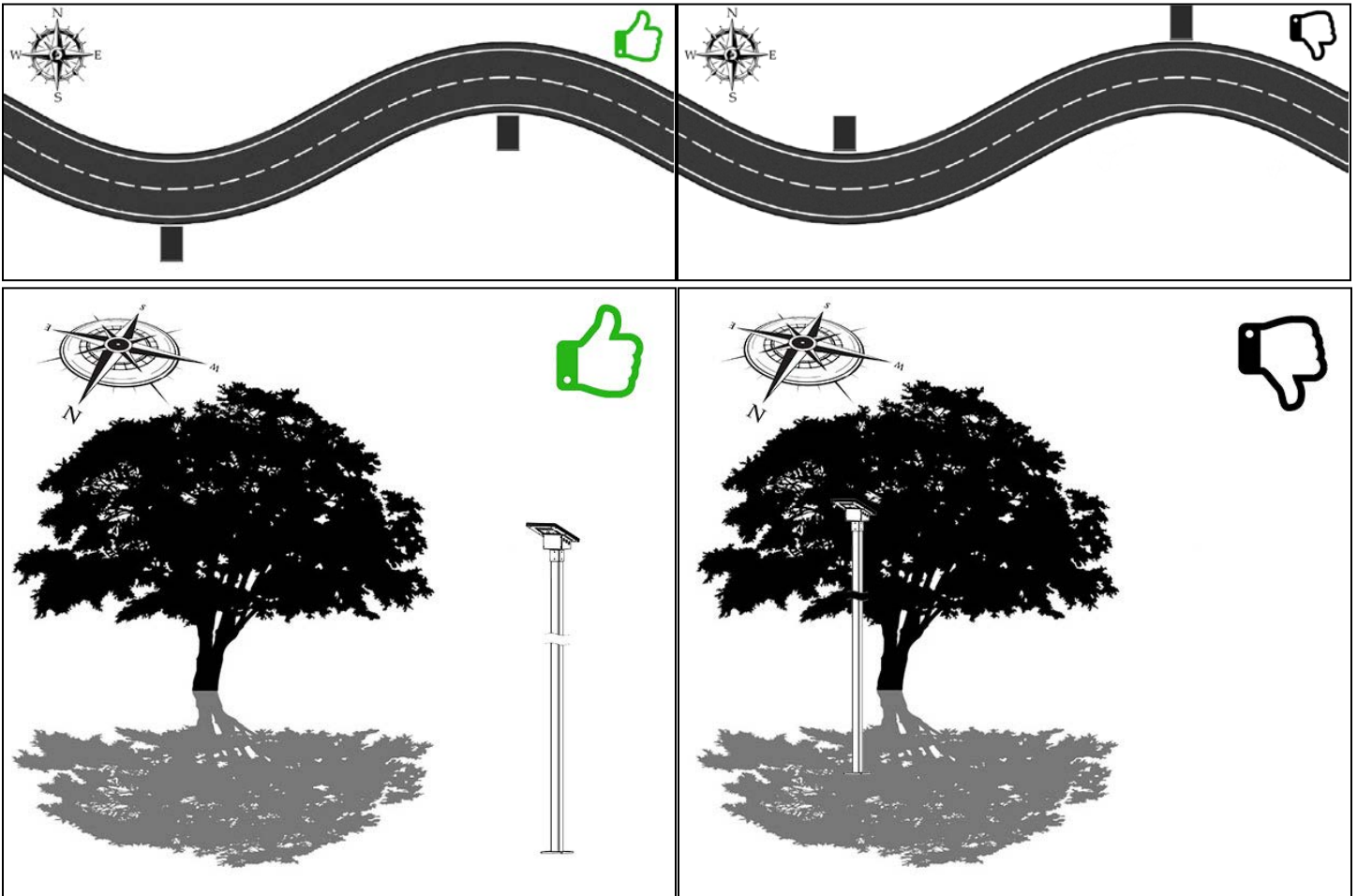
STEP 6



STEP 7

INSTALLATION MANUAL

LX COMMERCIAL SOLAR LIGHTING FIXTURE



ORIENTATION AND AUTONOMY

Solar Module Orientation	Period	Autonomy losses
South (= optimal)	Annual	0%
	Summer	0%
	Winter	0%
East / West	Annual	-17%
	Summer	-9.8%
	Winter	-28%
North	Annual	-35.8%
	Summer	-21.6%
	Winter	-54.8%

1.1 INSTALLATION GUIDELINES

To avoid a loss of autonomy and a malfunction:

- The luminaire must be installed horizontally and must never be tilted;
- The luminaire must be installed at the end of the post;
- The luminaire must be installed in an open space with no trees or structures nearby, this could favour snow accumulation and shading;
- The solar module must be ideally oriented towards the south, otherwise see table "ORIENTATION AND AUTONOMY".

Failing to follow these recommendations can result in loss of system performance.

FACTORS AFFECTING AUTONOMY:

Lack of sunshine, very low ambient temperature, snow accumulation due to trees or structures nearby, shading due to nearby trees or structures, solar module orientation (see table), too many unplanned occupancy detections (road, unusual activities and events), sunshine below the monthly averages, time delay too high on the occupancy sensor.

INSTALLATION MANUAL

LX COMMERCIAL SOLAR LIGHTING FIXTURE



1.2 STORAGE AND HANDLING:

If you wish to store the luminaire, the battery needs to be recharged before storing for a period of 15 days or more in order to prevent damage to the battery. The luminaire must be stored at 20°C room temperature.

The luminaire should never be manipulated when the battery is inside. Use the quick access door to remove the battery before handling.

1.3 DEEP DISCHARGE PROTECTION

This protection significantly increases battery lifespan. This protection also prevents permanent damage to the battery caused by very deep discharges during cold weather. **When the battery reaches a 50% state of charge, the battery is automatically disconnected from the system until its state of charge reaches 85%** i.e. about 1 day of sunshine in summer and about 4 days of sunshine in winter.

1.4 DAY-NIGHT TRANSITION

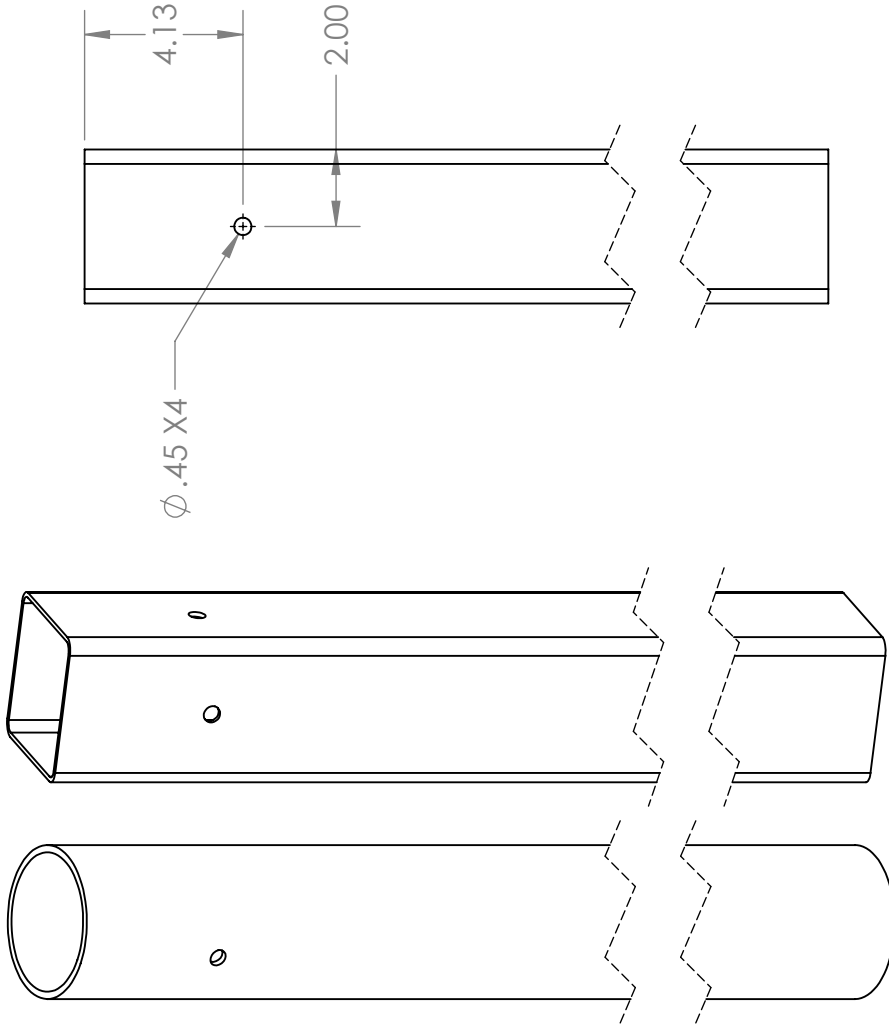
The fixture uses the solar panel to detect day and night periods. The night transition requires a very low brightness level for 5 continuous minutes. This constraint prevents false night transitions. Avoid exposing the luminaire to an artificial light source that may cause synchronization errors by simulating the day. If the fixture operates erratically, make sure the solar module is not covered with debris or heavy snow. The luminaire automatically corrects synchronization errors after 24 hours. The occupancy sensor has its own photocell, which does not activate when the ambient brightness is too high.

LX25-LX50

NOTE:

The installation of the solar system must be made using one bolt which passes through the post. Follow this drilling pattern for the position of holes.

The hole should be pointing in the direction of the desired lighting orientation.



B

B

A

A

UNLESS OTHERWISE SPECIFIED: DIMENSIONS ARE IN INCHES	NAME JFOL	DATE 24MAY2019	PROJECT: VS
DEFAULT TOLERANCES: ANGULAR ±1° TWO PLACE DECIMAL ±.06" THREE PLACE DECIMAL ±.031" HOLES ±.005"	PROPRIETARY AND CONFIDENTIAL THE INFORMATION CONTAINED IN THIS DRAWING IS THE SOLE PROPERTY OF VISION SOLAIRE INC ANY REPRODUCTION IN PART OR AS A WHOLE WITHOUT THE WRITTEN PERMISSION OF VISION SOLAIRE.COM IS PROHIBITED.		TITLE: 4IN POST DRILLING PATTERN FOR LX & ZX
MATERIAL			SIZE DWG. NO. REV A H44_DRL_LXZX 4
THICKNESS	"		SCALE: 1:5 WEIGHT: SHEET 1 OF 1
FINISH	"		
DO NOT SCALE DRAWING			



DIRECTION OF LIGHTING

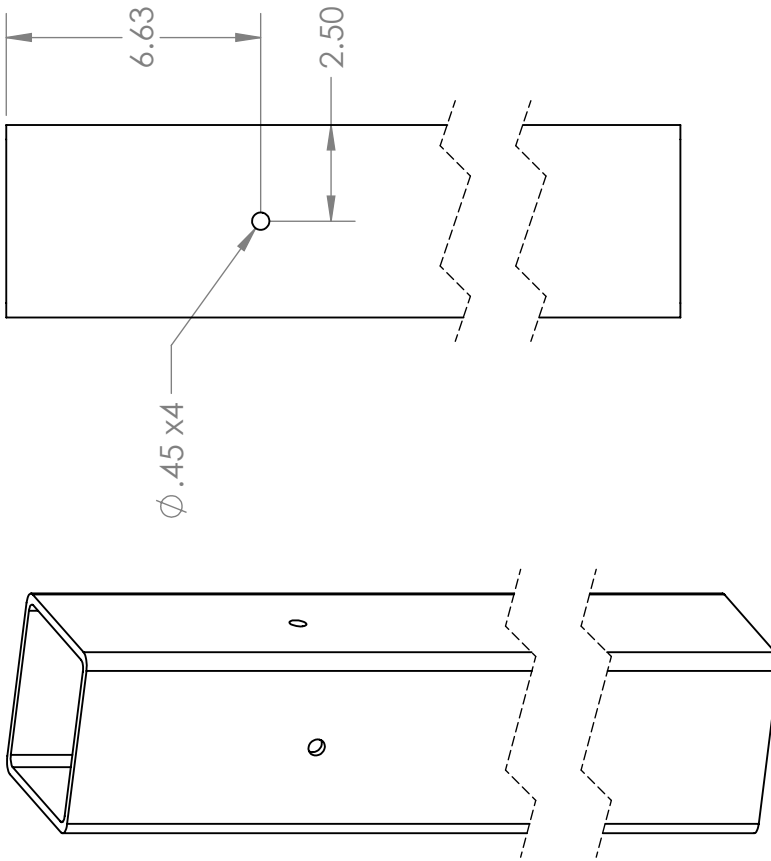
REV.	DESCRIPTION	DATE	PAR
4	DRAWING PER MODEL	15 SEP 2022	JFOL
3	MOUNTING HOLE	27 JUN 2022	JFOL
2	HOLES SIZE AND POSITION ADJUSTED	13 OCT 2020	JFOL
1	UPDATE OF THE NOTE	26 MAR 2020	JFOL

LX95

NOTE:


The installation of the lamp on the top of the post requires drilling the post as per the presented drilling pattern. The lamp will be secured using one bolt through the lamp post.

The hole should be pointing in the direction of the desired orientation.



DIRECTION OF LIGHTING

PROJECT: VS

UNLESS OTHERWISE SPECIFIED: DIMENSIONS ARE IN INCHES	DRAWN	NAME	DATE	PROJECT: VS
	JFOL	JFOL	26 MAR 2020	
DEFAULT TOLERANCES: ANGULAR $\pm 1^\circ$ TWO PLACE DECIMAL $\pm .06''$ THREE PLACE DECIMAL $\pm .031''$ HOLES $\pm .005''$	PROPRIETARY AND CONFIDENTIAL THE INFORMATION CONTAINED IN THIS DRAWING IS THE SOLE PROPERTY OF VISION SOLAIRE INC ANY REPRODUCTION IN PART OR AS A WHOLE WITHOUT THE WRITTEN PERMISSION OF VISION SOLAIRE.COM IS PROHIBITED.			
MATERIAL				
THICKNESS	"			
FINISH				
DO NOT SCALE DRAWING				
REV.	DESCRIPTION	DATE	PAR	TITLE: 5IN POST DRILLING PATTERN FOR LX & ZX
4	DRAWING PER MODEL	15 SEP 2022	JFOL	SIZE DWG. NO. REV A H55S_DRL_LXZX 4
3	SIMPLIFICATION OF THE DRILLING PATTERN	27 JUN 2022	JFOL	SCALE: 1:5 WEIGHT: 36.54 SHEET 1 OF 1
2	HOLE SIZE AND POSITION ADJUSTED	13 OCT 2020	JFOL	
1	UPDATE OF THE NOTE	26 MAR 2020	JFOL	