

# INSTALLATION GUIDE PHILIPS LUMILEDS

## INTELLIGENT SOLAR LIGHTING



### LX25 & LX50 SERIES

#### IMPORTANT NOTES:

- Always install the lighting fixture on the pole before installing the battery.
- The lighting fixture should never be handled with battery installed inside.
- The battery compartment contains a “quick connector” to connect the battery, identified as “BATTERY”.
- The battery compartment also contains two additional wires marked “EXTERNAL SOLAR PANEL \*OPTIONAL\* “. These two wires **must never be connected to the battery**, they are used when an additional external solar panel is installed.

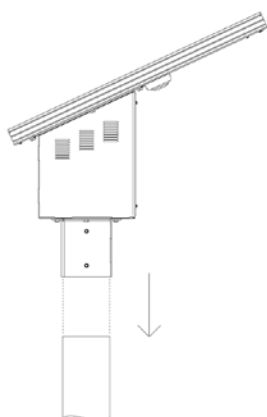
#### INSTALLATION

1. Install the lighting fixture on a pole with an outer diameter of:
  - 101mm (4in) for the LX25 and LX50 (round or square sleeve is available for LX25, LX50);
2. Slide the lighting fixture on top of the pole;
3. Use the 1/4”-20 bolt to secure the luminaire to the pole, drilling pattern on last page;
4. Once the light is in place, open the battery box door and insert the battery. The battery is standing up for the LX50. The battery is lying on its side for the LX25;
5. Make a quick connection with the quick connect cable;
6. A green indicator light indicates that the luminaire is functional.
7. Close the battery box door, the installation is now complete.

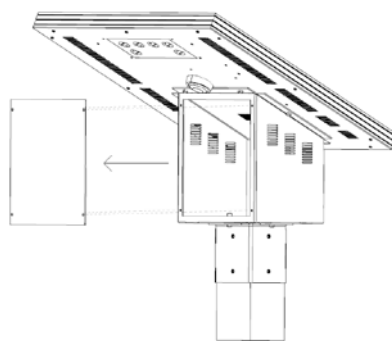
#### LEARNING DELAY

The light requires a 24-hour delay to operate properly according to it's program.

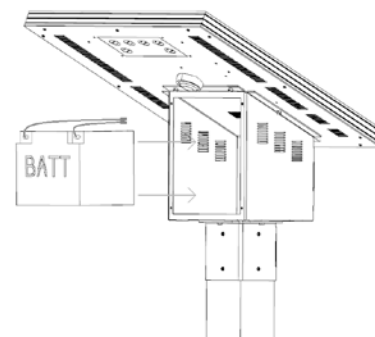
Indicator lights



STEP 1, 2, 3



STEP 4



STEP 5



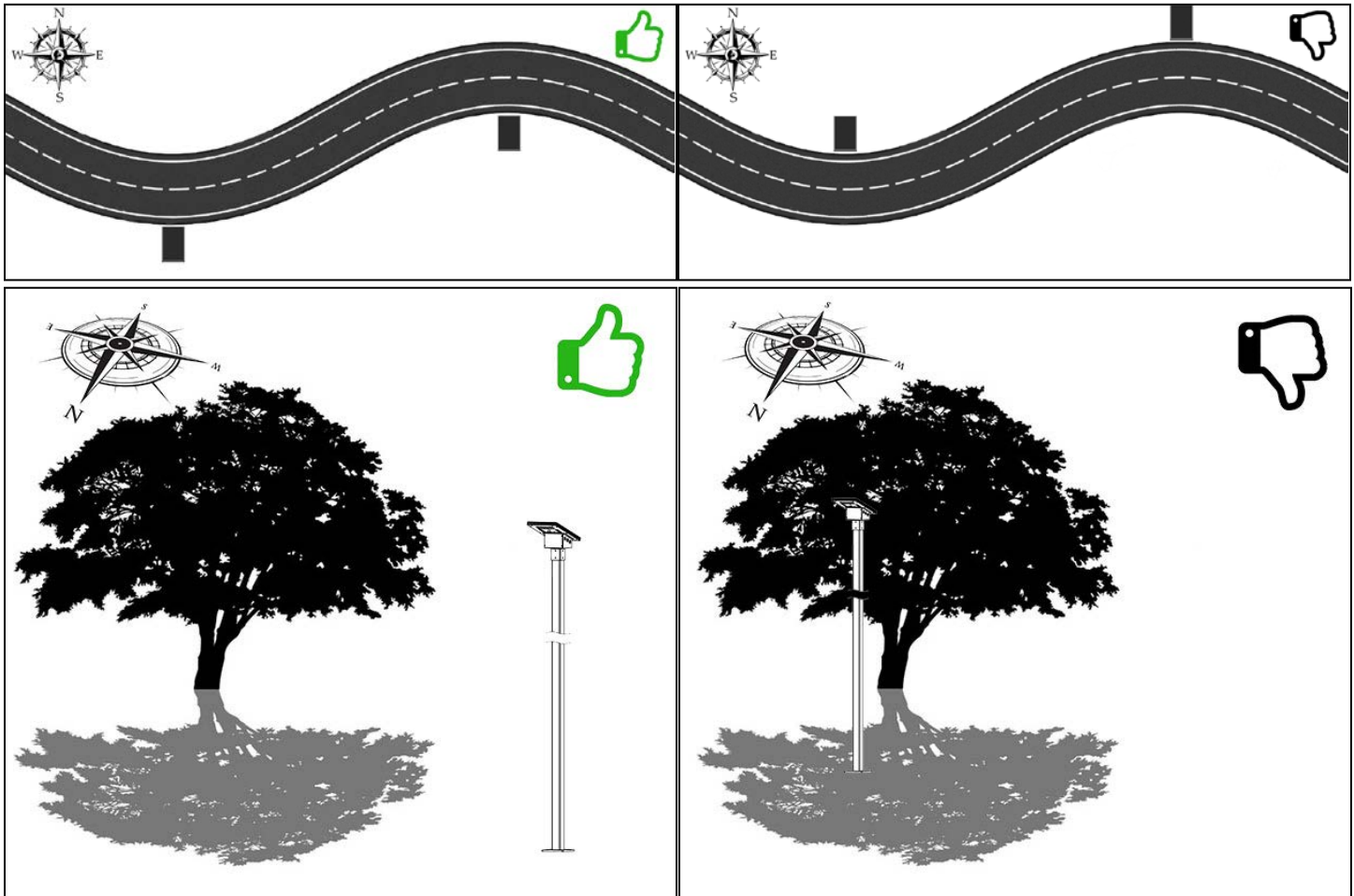
MANUFACTURED BY:  
VISION SOLAIRE INC.  
www.vision-solaire.com  
info@vision-solaire.com  
T. 1-819-729-0450

Révision: 2.5

# INSTALLATION GUIDE PHILIPS LUMILEDS

## INTELLIGENT SOLAR LIGHTING

LX25 & LX50 SERIES



### ORIENTATION AND AUTONOMY

Solar Module Orientation	Period	Autonomy losses
South (= optimal)	Annual	0%
	Summer	0%
	Winter	0%
East / West	Annual	-17%
	Summer	-9.8%
	Winter	-28%
North	Annual	-35.8%
	Summer	-21.6%
	Winter	-54.8%

### 1.1 INSTALLATION GUIDELINES

To avoid a loss of autonomy and a malfunction:

- The luminaire must be installed horizontally and must never be tilted;
- The luminaire must be installed at the end of the post;
- The luminaire must be installed in an open space with no trees or structures nearby, this could favour snow accumulation and shading;
- The solar module must be ideally oriented towards the south, otherwise see table "ORIENTATION AND AUTONOMY".

Failing to follow these recommendations can result in loss of system performance.

#### FACTORS AFFECTING AUTONOMY:

Lack of sunshine, very low ambient temperature, snow accumulation due to trees or structures nearby, shading due to nearby trees or structures, solar module orientation (see table), too many unplanned occupancy detections (road, unusual activities and events), sunshine below the monthly averages, time delay too high on the occupancy sensor.



**MANUFACTURED BY:**  
**VISION SOLAIRE INC.**  
[www.vision-solaire.com](http://www.vision-solaire.com)  
[info@vision-solaire.com](mailto:info@vision-solaire.com)  
 T. 1-819-729-0450

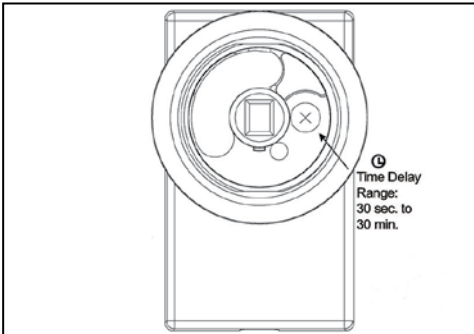
Révision: 2.5

# INSTALLATION GUIDE PHILIPS LUMILEDS

## INTELLIGENT SOLAR LIGHTING



### LX25 & LX50 SERIES



#### 1.2 STORAGE AND HANDLING:

If you wish to store the luminaire, the battery needs to be recharged before storing for a period of 15 days or more in order to prevent damage to the battery. The luminaire must be stored at 20°C room temperature.

**The luminaire should never be manipulated when the battery is inside. Use the quick access door to remove the battery before handling.**

#### 1.3 DEEP DISCHARGE PROTECTION

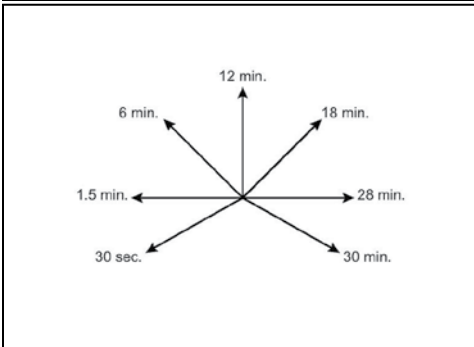
This protection significantly increases battery lifespan. This protection also prevents permanent damage to the battery caused by very deep discharges during cold weather. **When the battery reaches a 50% state of charge, the battery is automatically disconnected from the system until its state of charge reaches 85%** i.e. about 1 day of sunshine in summer and about 4 days of sunshine in winter.



#### 1.4 PIR SENSOR TIME DELAY FEATURE ADJUSTMENT

**Please be careful, the time delay trimpot is a fragile component.**

The Time Delay (30 seconds to 30 minutes) adjustment trimpot is located under the lens assembly. The trimpot is accessed easily. Gently unscrew the lens assembly. Do not remove the thumbscrew collar; it holds the sensor in place on the fixture. Set the time delay to the desired setting. The time delay can be set from 30 seconds (fully counterclockwise) to 30 minutes (fully clockwise). We recommend not to go over 5 minutes. The time delay starts when no more presence is detected.



#### 1.5 DAY-NIGHT TRANSITION

The fixture uses the solar panel to detect day and night periods. The night transition requires a very low brightness level for 5 continuous minutes. This constraint prevents false night transitions. Avoid exposing the luminaire to an artificial light source that may cause synchronization errors by simulating the day. If the fixture operates erratically, make sure the solar module is not covered with debris or heavy snow. The luminaire automatically corrects synchronization errors after 24 hours. The occupancy sensor has its own photocell, which does not activate when the ambient brightness is too high.



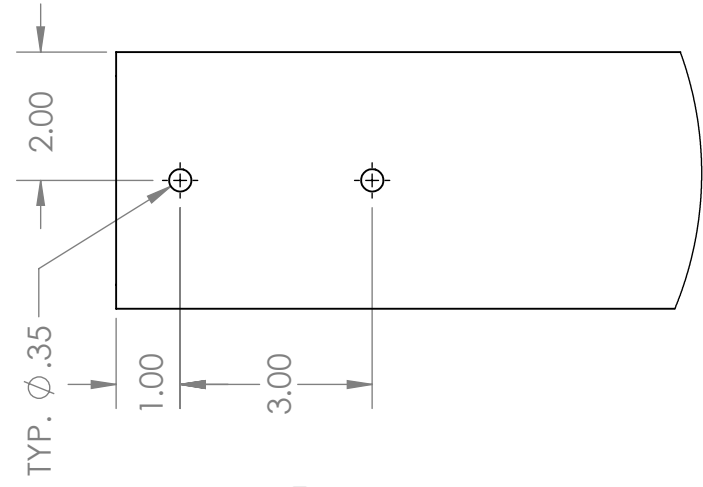
**MANUFACTURED BY:**  
**VISION SOLAIRE INC.**  
www.vision-solaire.com  
info@vision-solaire.com  
T. 1-819-729-0450

Révision: 2.5

1

2

B



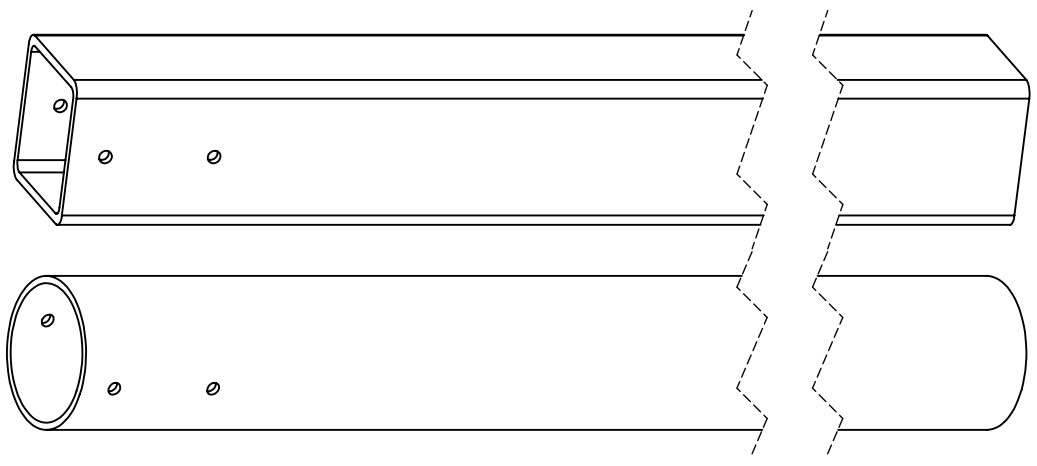
NOTE:

The installation of the lamp on the top of the post requires drilling the post as per the presented drilling pattern. The lamp will be secured through the lamp post.

The holes should be pointing in the direction of the desired orientation.

# DETAIL B

SCALE 1 : 3



DIRECTION OF LIGHTING

A

A

UNLESS OTHERWISE SPECIFIED:		NAME	DATE	COMMENT
DIMENSIONS ARE IN INCHES		JFOL	24 MAY 19	
TOLERANCES:		JFOL	24 MAY 19	TITLE
ANGULAR: ±1				4 IN POST DRILLING
TWO PLACE DECIMAL ±0.6"				PATTERN LX25 / LX50
THREE PLACE DECIMAL ±0.31"				
HOLES: ±0.05"				
INTERPRET GEOMETRIC TOLERANCING PER:				
MATERIAL				
FINISH				
DO NOT SCALE DRAWING				
PROPRIETARY AND CONFIDENTIAL		SIZE	DWG NO.	REV
THE INFORMATION CONTAINED IN THIS DRAWING IS THE SOLE PROPERTY OF SOLAR VISION. ANY REPRODUCTION IN PART OR AS A WHOLE WITHOUT THE WRITTEN PERMISSION OF SOLAR VISION IS PROHIBITED.		A	LX25-02-EN	1
		SCALE: 1:5	WEIGHT:	SHEET 1 OF 1

1	UPDATE OF THE NOTE	26 MAR 2020	JFOL
REV.	DESCRIPTION	DATE	PAR

1

2