

# SB20 SOLAR BOLLARD

## COMMERCIAL SOLAR LED BOLLARD



**PHILIPS**  
**LUMILEDS**

The “SB20” solar bollard integrates an 10 watts solar module and 10Ah Lithium-ion battery. Ideal for a chitectural and commercial lighting, our bollards are equipped with the latest Philips LED lighting technology combined to a modern design with high quality die-cast aluminum construction. No wiring or electrical connection required for installation.

The “SB20” solar bollard operates at night according to the selected operating profile; they can be programmed to operate throughout the night, dimmed when full light intensity is not required and/or turn off completely. You can choose how it works by selecting the operation profile that best suits your needs.

### FEATURES & BENEFITS

- Weather adaptive technology;
- Solar lighting bollard with 10W solar modules;
- Fully self-contained bollard: solar modules, controler, battery and lighting system;
- Automatic activation and dimming;
- No power cables or wiring needed;
- Wildlife-friendly amber option available;
- True 10 days autonomy without sunlight;
- Flexible operating profiles according to your needs;
- 100 000 hours Philips maintenance free LED operation;
- Die-cast aluminum housing;
- Security screws, tools and stainless steel hardware provided;
- Quick, easy and safe installation.

### APPLICATIONS

- Outdoor terraces;
- Public parks;
- Cycle paths;
- Camping sites;
- Vacation resorts;
- Hotel entrances;
- Bus shelters;
- Remote areas.



Solar Vision inc.  
www.solar-vision.ca  
info@solar-vision.ca  
T. : 819-729-0450



# SB20 SOLAR BOLLARD

## COMMERCIAL SOLAR LED BOLLARD

LIGHTING SPECIFICATIONS	SB20
Philips Lumileds lumen/Watt	180lm/W
Luminaire LED Power (Watt)	<b>2 W</b>
Lumens (lm)	<b>360 lm</b>
Dimming options	Yes
Light Distribution Type	Type 5 (Symmetrical) full cut-off high efficiency optics
Color temperature (°K)	3000°K to 4000°K adjustable (Turtle safe Amber color available, 590nm)
CRI (Color Rendering Index)	70
LED Lifespan	> 100 000 hours
Recommended spacing factor	8 meters
Available Operating modes	<b>Mode 1:</b> 6h at 100%, then OFF <b>Mode 2:</b> 6h at 100%, then at 30% (Dusk to Dawn) <b>Mode 3:</b> 4h at 100% + 4h at 50% then OFF <b>Mode 4:</b> Dusk to Dawn at 50% (Dusk to Dawn)
SOLAR SYSTEM SPECIFICATIONS	
Solar Module (Watt)	<b>10 Watt</b> , High-efficiency mono-crystalline, High impact, UV resistant encapsulation
Battery Bank Capacity (Ah)	<b>10Ah, 7.4V (74Wh capacity)</b>
Battery type	High-performance lithium (LiFePO <sub>4</sub> ) with PTC
Battery Overcharge/Discharge protection	YES
Autonomy (number of days without sunlight)	<b>10 days</b> , with a fully charged battery
Operating temperature range	-25°C +50°C
MECHANICAL SPECIFICATIONS	
Fasteners	Head: 3x Stainless steel <b>security screws with tool</b> Base: 4x Stainless steel <b>expansion anchor bolts</b>
Material / Coating and color	Die-cast corrosion resistant aluminum / Black Polyester Powder Coating
Unit Height, in (mm)	32" (800 mm)
Unit Weight - lb (Kg)	17lb (7.7Kg)
WARRANTY	
Against defects in material and workmanship	<b>5 years</b>

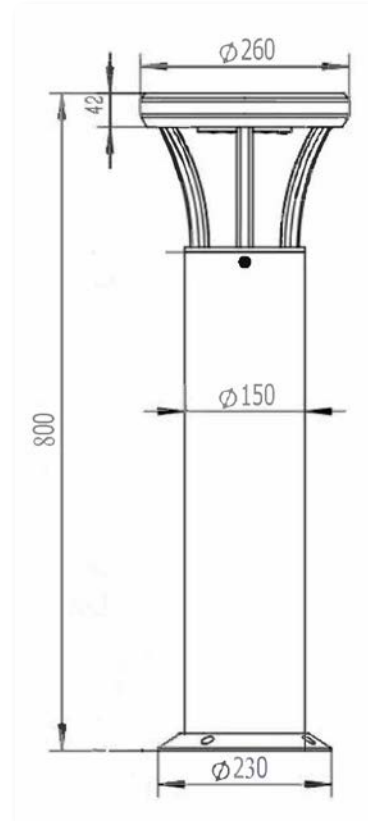
# SB20 SOLAR BOLLARD

## COMMERCIAL SOLAR LED BOLLARD

### SB20 ORDERING CODE

Serie	Color Temperature (°K)	Light distribution pattern
SB20	34 = 3 000°K / 4000°K, Adjustable	T5 = Symmetrical Type 5
	590 = 590nm, Amber, Turtle-Friendly Lighting, (call for lead time)	

Example: SB20-34-T5 ( SB20 - \_\_\_\_\_ - \_\_\_\_\_ )



Solar Vision inc.  
www.solar-vision.ca  
info@solar-vision.ca  
T. : 819-729-0450

